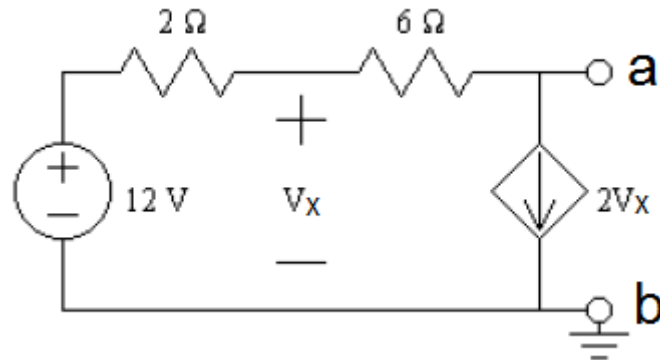


Use CircuitLab to determine the Thevenin equivalent at the terminals a-b.



- a) Copy Screenshot from circuitlab showing open circuit voltage at a-b. Insert a Voltmeter between a-b to show the open circuit voltage. [ANS: -26.4V]
- b) Copy Screenshot from circuitlab showing short circuit current at a-b. Insert an Ammeter between a-b to show the short circuit current. [ANS: -16.5 A]
- c) Your Thevenin equivalent has $V_{th} =$ _____ and $R_{th} =$ _____
 [ANS: -26.4 V] [ANS: 1.6 Ohms]