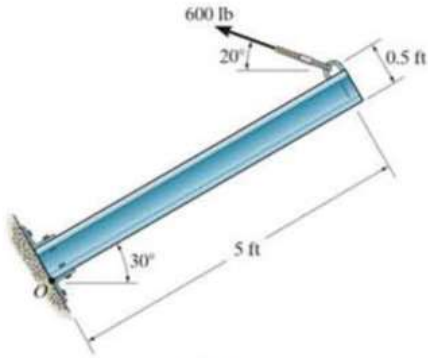


# ENGR 8 Assignment 4

Ch4 – F1,F3,F9,7,18,25

Ch4 – F19,F20,75,76

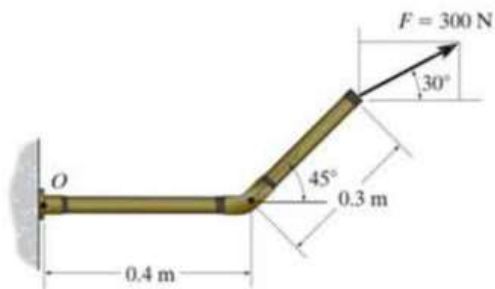
**F4-1.** Determine the moment of the force about point  $O$ .



**F4-1**

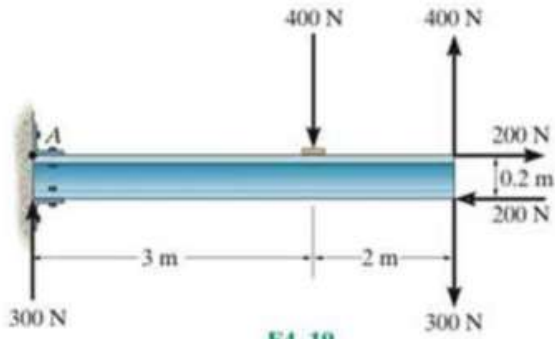
2.49 kip-ft CCW

**F4-3.** Determine the moment of the force about point  $O$ .



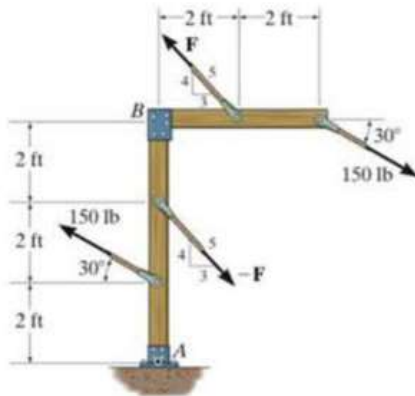
36.7 N-m CCW

**F4-19.** Determine the resultant couple moment acting on the beam.



740 N-m CW

**4-75.** If  $F = 200$  lb, determine the resultant couple moment.



$$(M_c)_R = 260 \text{ lb} \cdot \text{ft} \curvearrowright$$