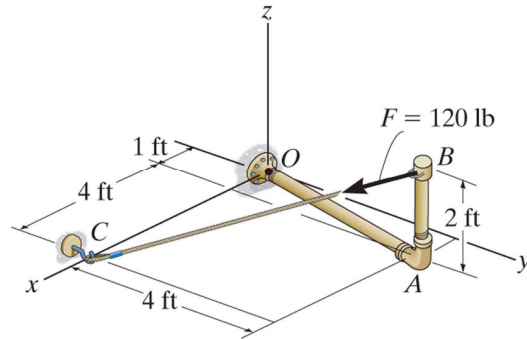
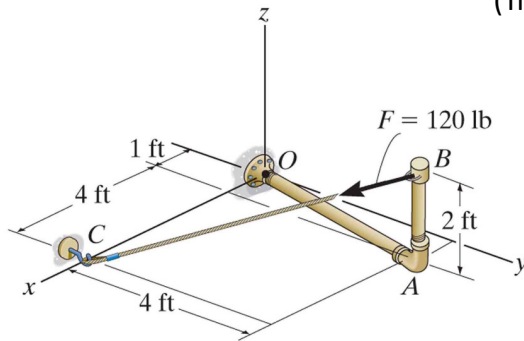


Today →

Example 2c: Find moment of F about OA axis
(Projection of M_O along line of OA)

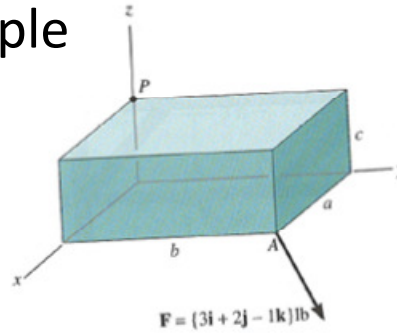


Example 2c': Find moment of F about OA axis
(Triple-Product approach)

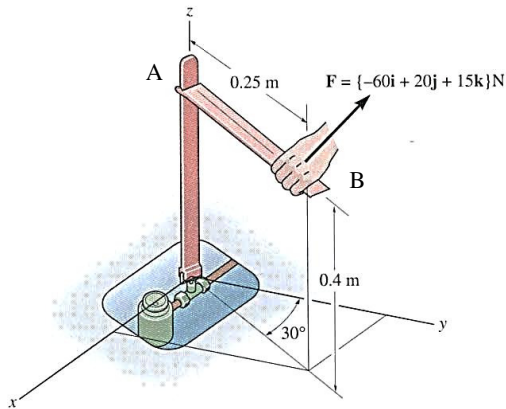
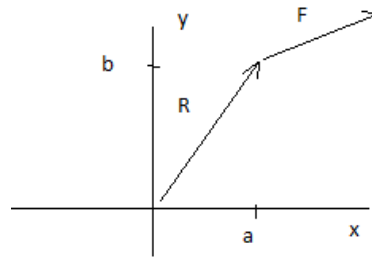


Scalar Example

- IF $a = 3$ and $b = 4$ feet,
Find the moment of force F
About the z axis



"Top View" (z-axis leaving page)

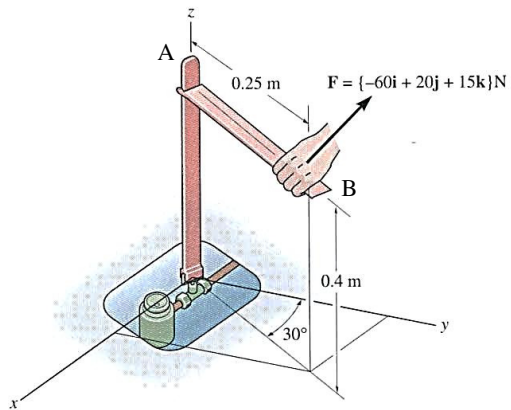


EXAMPLE 3

Given: A force is applied to the tool to open a gas valve.

Find: The magnitude of the moment of this force about the z axis of the valve.





EXAMPLE 3'

Given: A force is applied to the tool to open a gas valve.

Find: The magnitude of the moment of this force about the z axis of the value.

Use Scalar Analysis

