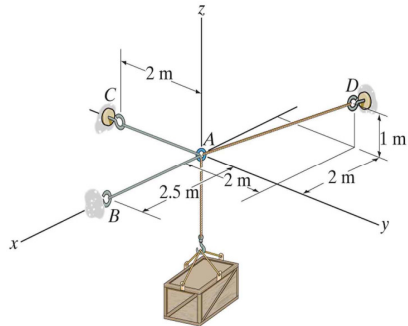


Example 1.

3 Unknown Force
Magnitudes
(directions known)

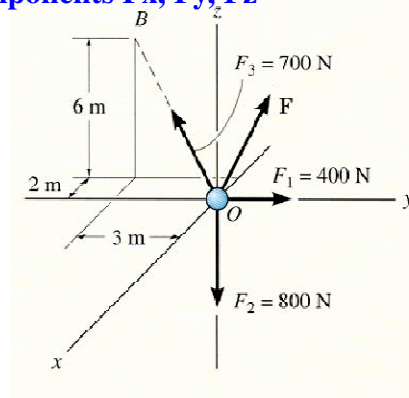
Determine the tension in cables AB, AC, and AD caused by the 600-lb crate.

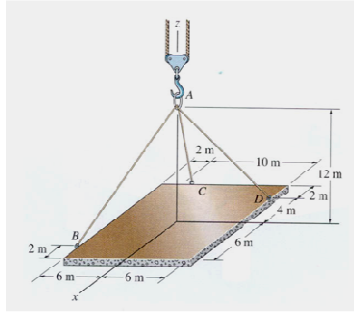


EXAMPLE #2 3 unknown Force components F_x , F_y , F_z

Given: F_1 , F_2 and F_3 ,

Find: Value of F for equilibrium





Example 3 **Given:** Plate has mass 150 kg
Find: Tension in each cable