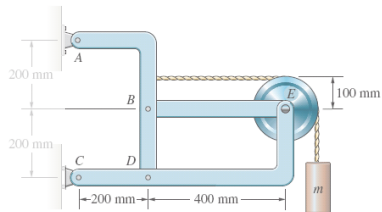
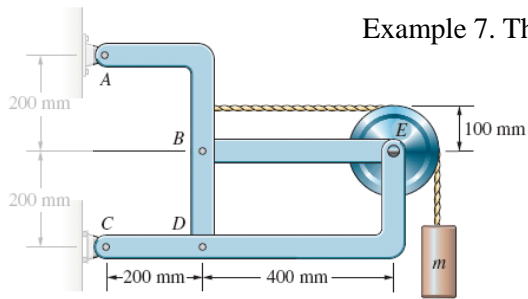
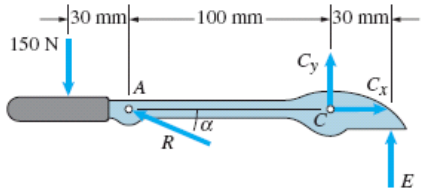
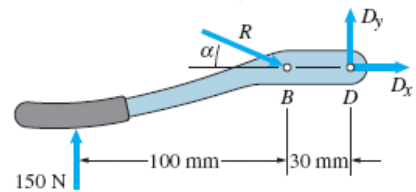
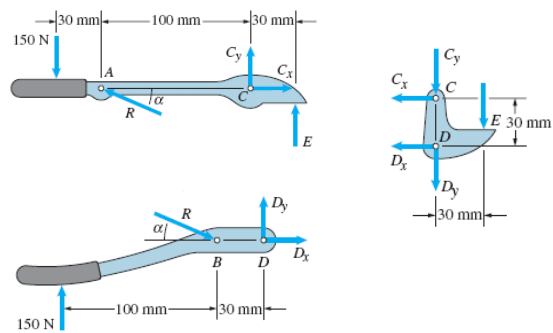
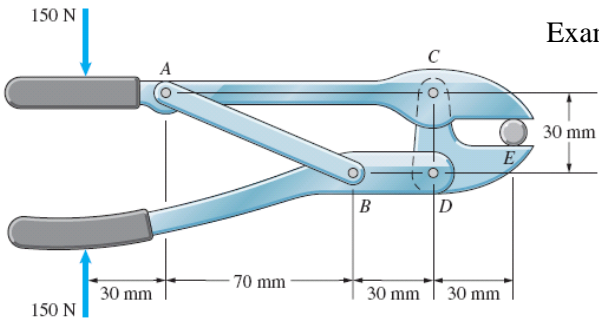


Example 7. The weight of m is 120 N. Find the forces on member CDE.



Example 8. Find forces on the bolt at E.



Mechanical advantage: