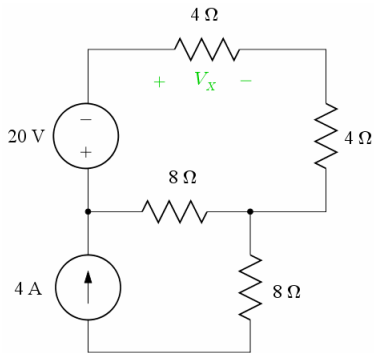
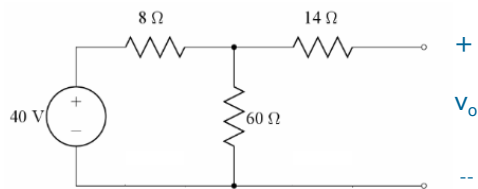


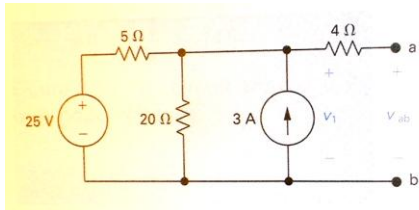
1) Use Superposition to find V_x (3V)



2) Find v_o in the circuit shown below using source transformation.



3) Find Thevenin Eq at a-b
 note how R_4 does not affect V_{oc} ! [$V_{th}=32$, $R_{th}=8$]



4) Find the Thévenin equivalent circuit at the terminals A-B. $R_t = 25\Omega$; $V_t = 160V$

