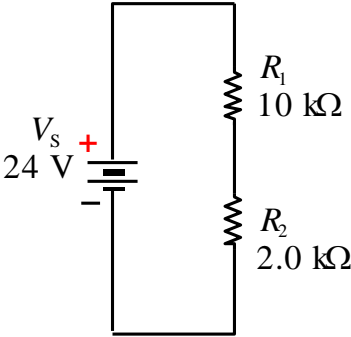


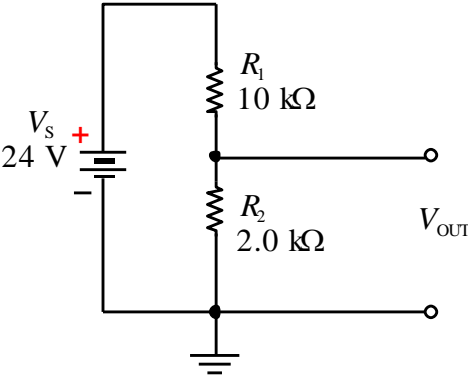
Quiz

6. The current in the 10 kΩ resistor is
- a. 0.5 mA
  - b. 2.0 mA
  - c. 2.4 mA
  - d. 10 mA



Quiz

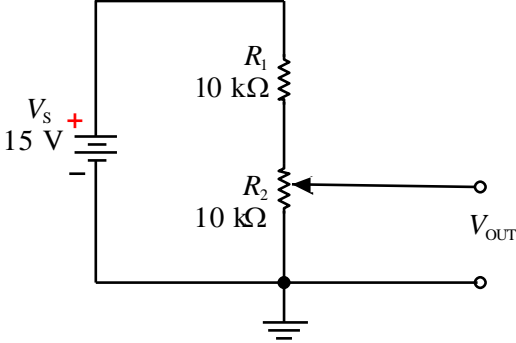
7. The output voltage from the voltage divider is
- a. 2.0 V
  - b. 4.0 V
  - c. 12 V
  - d. 20 V



# Quiz

8. The smallest output voltage available from the voltage divider is

- a. 0 V
- b. 1.5 V
- c. 5.0 V
- d. 7.5 V



## What is v?

