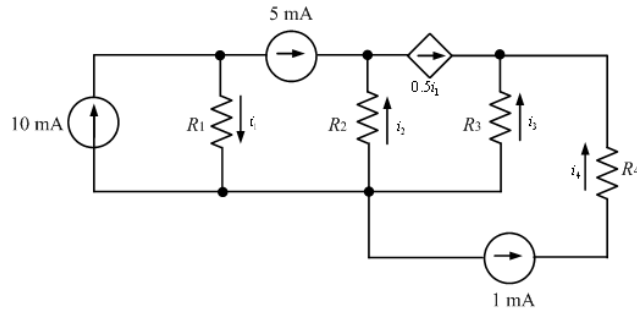
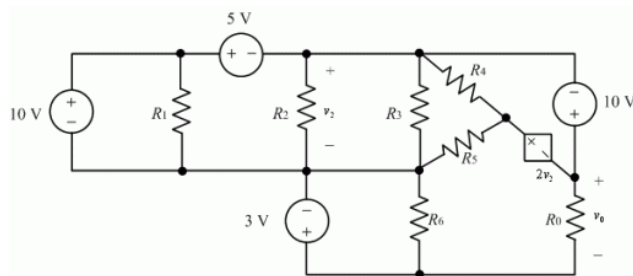


1) Problem 1 Determine the current through each of the resistors in this circuit.

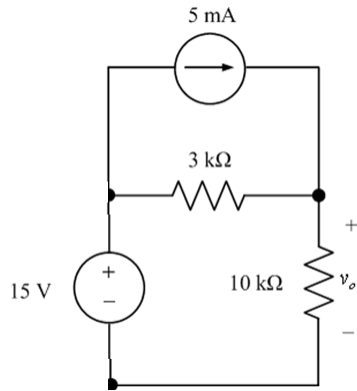


$$i_1 = 5 \text{ mA}, \quad i_2 = -2.5 \text{ mA}, \quad i_3 = -3.5 \text{ mA}, \quad i_4 = 1 \text{ mA}$$

2) Problem 1 Find the voltage across resistor R_0 .

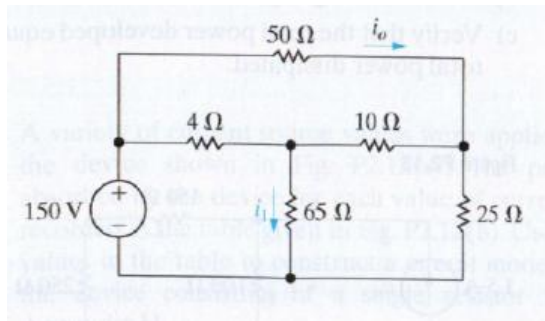


3) KCL and KVL in one circuit
Find the value of V_0 .



$$v_0 = 23.1 \text{ V}$$

4) If i_0 is 1A, Find i_1



$$i_1 = 2 \text{ A}$$